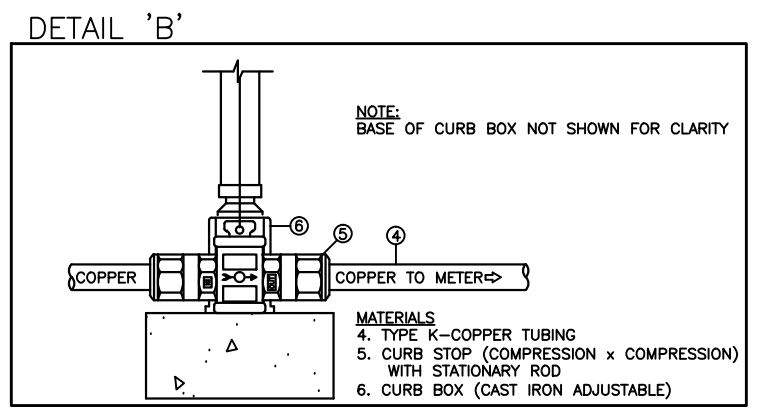
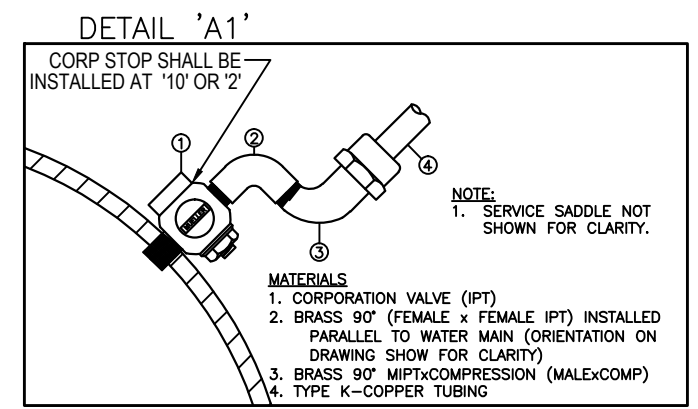


- MATERIALS:**
1. CORPORATION STOP: MUELLER MODEL B-2969-N;
 2. CURB BOX: BINGHAM AND TAYLOR CO., FIGURE 4901-B, SIZE NO. 94-E, COMPLETE WITH LID;
 3. CURB STOP: MUELLER MODEL B-25209N ;
 4. STATIONARY ROD AND RING: 5/8" DIA, 18" LONG WITH 2" CENTERING RING; GENCO MODEL #1101-2-18
 5. FOR 1-1/2" AND 2" SERVICES, PROVIDE SMITH-BLAIR TYPE 317 SERVICE SADDLE
 6. OR EQUALS

- NOTES:**
1. BACKFILL TRENCH PER SPECIFICATIONS.
 2. COMPACT BACKFILL AS PER SPECIFICATIONS.



WATER SERVICE CONNECTION DETAIL

(NOT TO SCALE)

PASSAIC VALLEY WATER COMMISSION		
1525 MAIN AVE. CLIFTON, N.J. TEL:(973) 340-4300		
WATER SERVICE CONNECTION UP TO 2"		
TYPICAL DETAIL		
DESIGNED BY:		DATE: 4/5/21
DRAWN BY: M.R/PAD		SCALE: NOT TO SCALE
CHECKED BY:		DWG. 1 OF 1