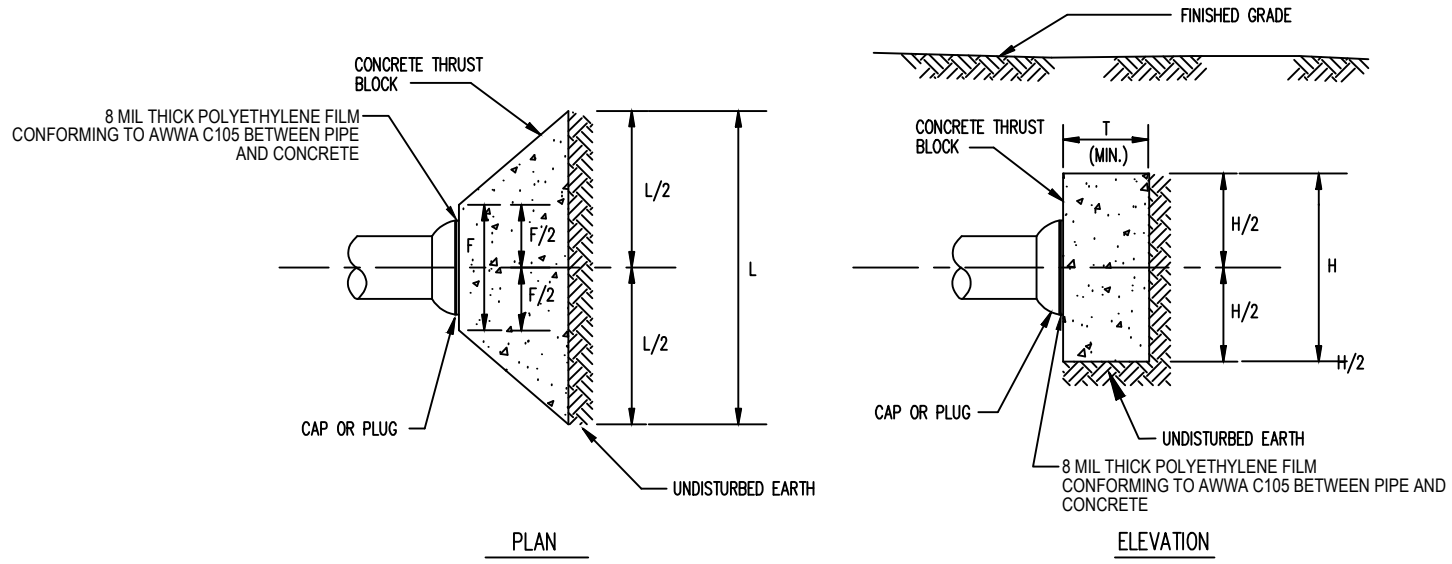


	NOMINAL DIAMETER OF BRANCH						
	4"	6"	8"	10"	12"	14"	16"
L	2'-0"	3'-0"	4'-0"	6'-0"	7'-0"	8'-0"	9'-0"
H	1'-6"	2'-0"	3'-0"	3'-0"	3'-6"	4'-0"	4'-6"
T	1'-0"	1'-0"	1'-6"	2'-6"	3'-0"	3'-6"	4'-0"
F	0'-6"	0'-6"	0'-9"	0'-9"	1'-0"	1'-0"	1'-0"

## TYPICAL THRUST BLOCK DETAIL FOR TEES AND TAPPING SLEEVES

N.T.S.

<b>PASSAIC VALLEY WATER COMMISSION</b>		
1525 MAIN AVE. CLIFTON, N.J.		TEL:(973) 340-4300
<b>THRUST BLOCK DETAILS</b>		
<b>TYPICAL DETAIL</b>		
DESIGNED BY:		DATE: 2/6/20
DRAWN BY: M.R/PAD		SCALE: NOT TO SCALE
CHECKED BY:		DWG. 2 OF 2



		NOMINAL DIAMETER OF PLUG OR CAP						
		4"	6"	8"	10"	12"	14"	16"
L		2'-0"	3'-0"	4'-0"	6'-0"	7'-0"	8'-0"	9'-0"
H		1'-6"	2'-0"	3'-0"	3'-0"	3'-6"	4'-0"	4'-6"
T		1'-0"	1'-0"	1'-6"	2'-6"	3'-0"	3'-6"	4'-0"
F		1'-0"	1'-0"	1'-0"	1'-0"	1'-6"	1'-6"	2'-0"

## TYPICAL THRUST BLOCK DETAIL FOR PLUGS AND CAPS

N.T.S.

<b>PASSAIC VALLEY WATER COMMISSION</b>		
1525 MAIN AVE. CLIFTON, N.J.		TEL:(973) 340-4300
<b>THRUST BLOCK DETAILS</b>		
<b>TYPICAL DETAIL</b>		
DESIGNED BY:		DATE: 2/6/20
DRAWN BY: M.R/PAD		SCALE: NOT TO SCALE
CHECKED BY:		DWG. 1 OF 2