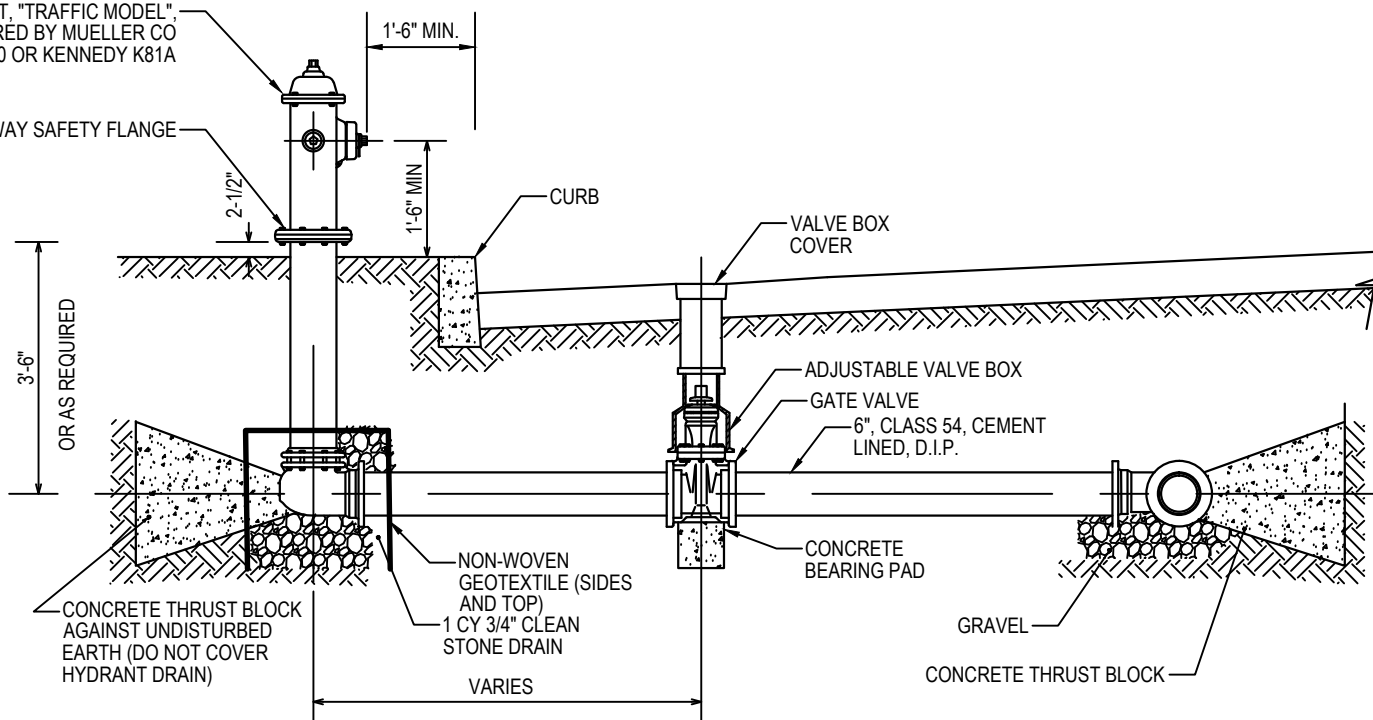


FIRE HYDRANT, "TRAFFIC MODEL",
MANUFACTURED BY MUELLER CO
CENTURION 250 OR KENNEDY K81A

BREAKAWAY SAFETY FLANGE

3'-6"
OR AS REQUIRED



CLIFTON STANDARD: (CLIFTON - PASSAIC - LODI - NORTH ARLINGTON - WEST MILFORD)

- 5 1/4" M.R.V.
- 2 1/2" Hose Nozzle - 2.91" PITCH DIAMETER x 8 TPI
- 4 1/2" Steamer Nozzle - 5.760" ODM x 4 TPI
- OPEN LEFT
- Quick-Disconnect Adapter: Harrington Permanent Hydrant Adapter Model HPHA50-45NH/Cap-4.5" Female adapter cut with NH (NST) threads-5.760" ODM x 4TPI x 5" Storz connection /cap or approved equal.

PATERSON STANDARD: (PATERSON - PROSPECT PARK)

- 5 1/4" M.R.V.
- 2 1/2" Hose Nozzle - 2.91" PITCH DIAMETER x 8 TPI
- 4" Steamer Nozzle - 4.828" ODM x 6 TPI
- OPEN RIGHT
- Quick-Disconnect Adapter: Harrington Permanent Hydrant Adapter Model HPHA50-40sp/Cap-4.0" Female adapter cut with special thread-4.828" ODM x 6TPI x 5" Storz connection /cap or approved equal.

NOTES:

1. BACKFILL PER LOCAL JURISDICTION.
2. RESTRAINTS SHALL BE INSTALLED ON ALL MECHANICAL JOINTS.
3. AT LEAST 36" OF CLEARANCE IS REQUIRED AROUND THE CIRCUMFERENCE OF THE HYDRANT AND AT LEAST 60" OF CLEARANCE IS SHALL BE PROVIDED FROM THE PUMPER NOZZLE AS PER NFPA 1 FIRE CODE 18.5.7.
4. SEE THRUST BLOCK DETAILS.

FIRE HYDRANT CONNECTION

(NOT TO SCALE)

PASSAIC VALLEY WATER COMMISSION

1525 MAIN AVE. CLIFTON, N.J. TEL:(973) 340-4300

FIRE HYDRANT CONNECTION

TYPICAL DETAIL

DESIGNED BY:		DATE: 6/13/22
DRAWN BY: M.R/PAD		SCALE: NOT TO SCALE
CHECKED BY:		DWG. 1 OF 1